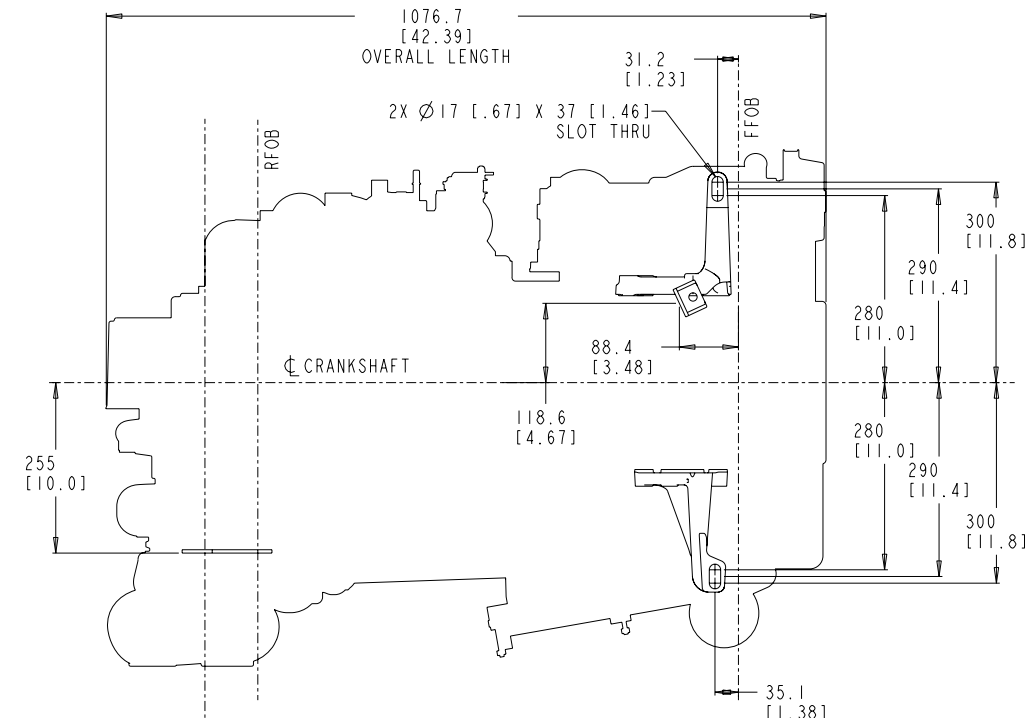
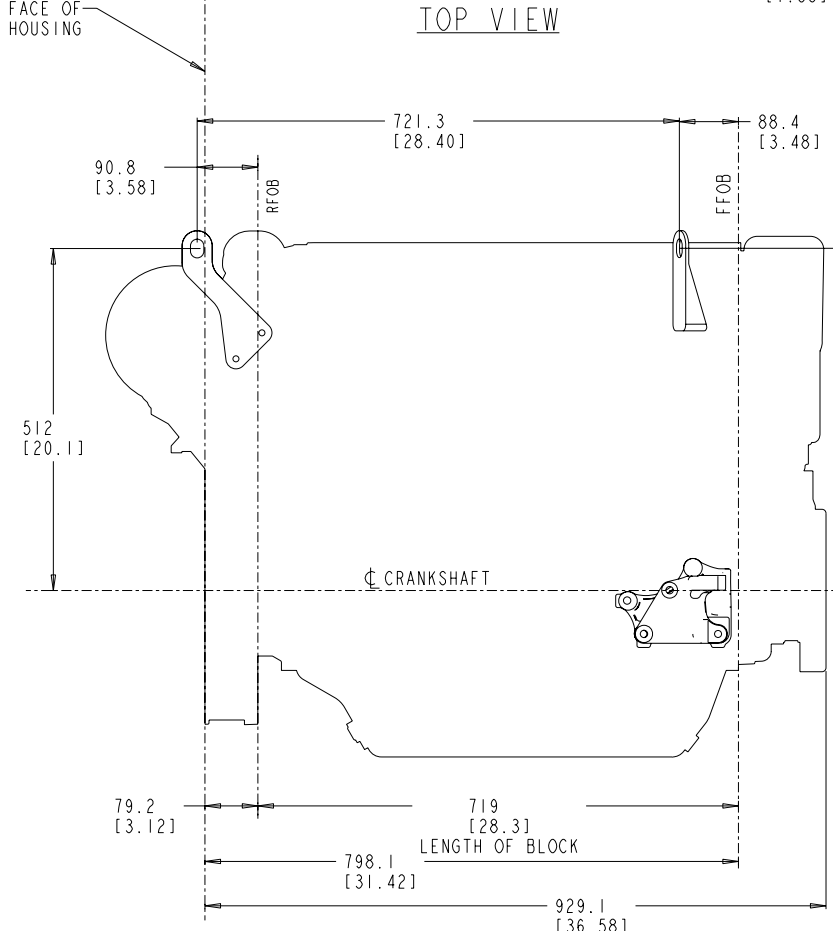


ITEM NUMBER  
4953743

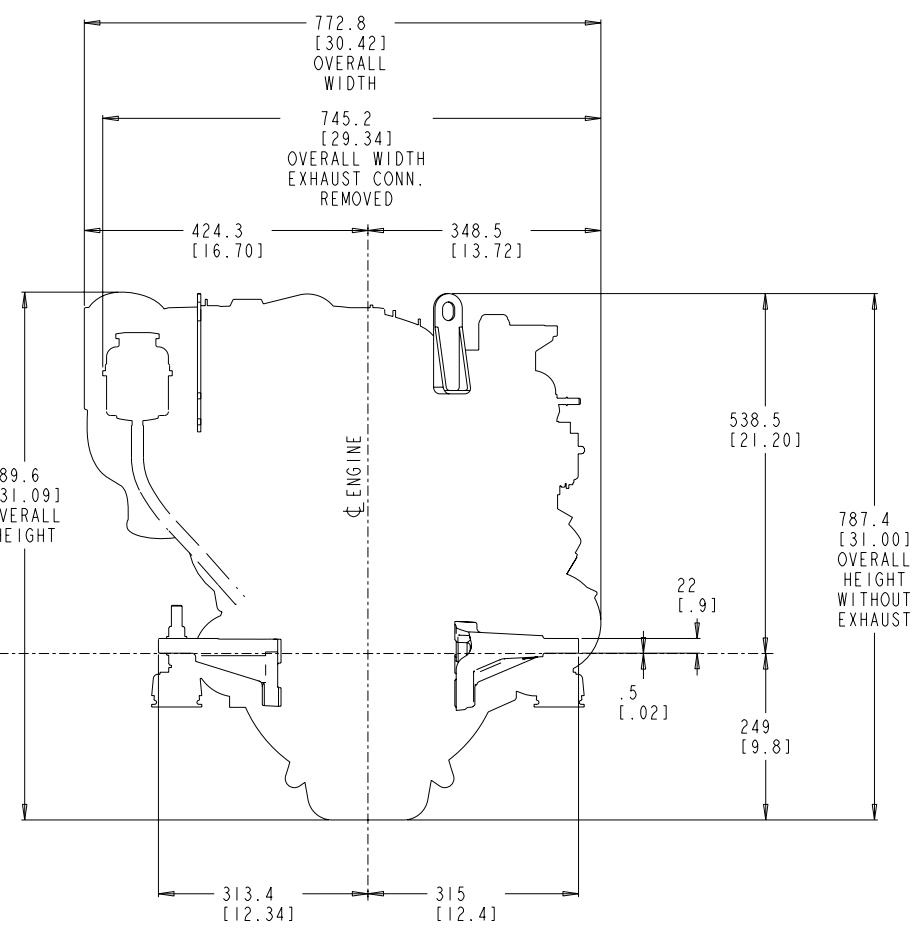
REVISIONS			
ZONE	REV	DESCRIPTION	APP'D
00	RELEASED		



TOP VIEW

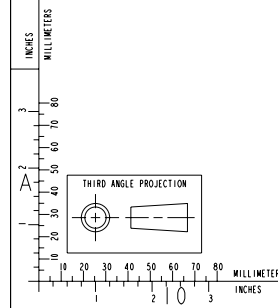


EXHAUST SIDE



FRONT VIEW

TABLE OF CONTENTS	
DRAWING / SUB-SYSTEM	SHEET
DIMENSION OUTLINE	1
ASSEMBLY DRAWING	2
ELECTRICAL SYSTEM	3
MOUNTING SYSTEM	4
EXHAUST SYSTEM	5



DO NOT SCALE THIS DRAWING

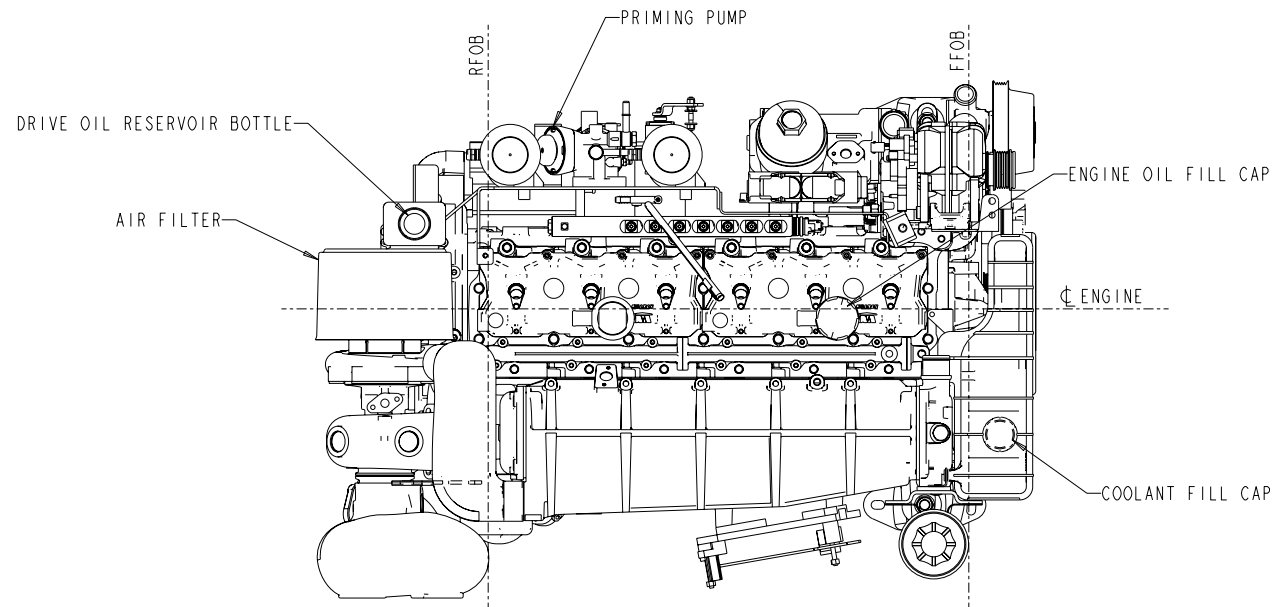
THIS DRAWING/DATA FILE (AND THE INFORMATION SHOWN THEREON) IS CONFIDENTIAL AND PROPRIETARY AND SHALL NOT BE USED, DISCLOSED TO OTHERS, OR REPRODUCED BY ANY MEANS FOR ANY PURPOSE IN HARD COPY FORM OR IN MACHINE READABLE FILES, WITHOUT WRITTEN CONSENT OF CUMMINS INC., MARKETING CAD SERVICES DEPARTMENT.

PRODUCT GRAPHICS FILE  
NO ORIGINAL DRAWING EXISTS FOR THIS ITEM. THE ENGINEERING GRAPHICS DATA FOR THIS ITEM RESIDES IN THE PRODUCT GRAPHICS FILE AND IS CONTROLLED BY THE AGENCY DESIGNATED AS HAVING ITEM CONTROL.

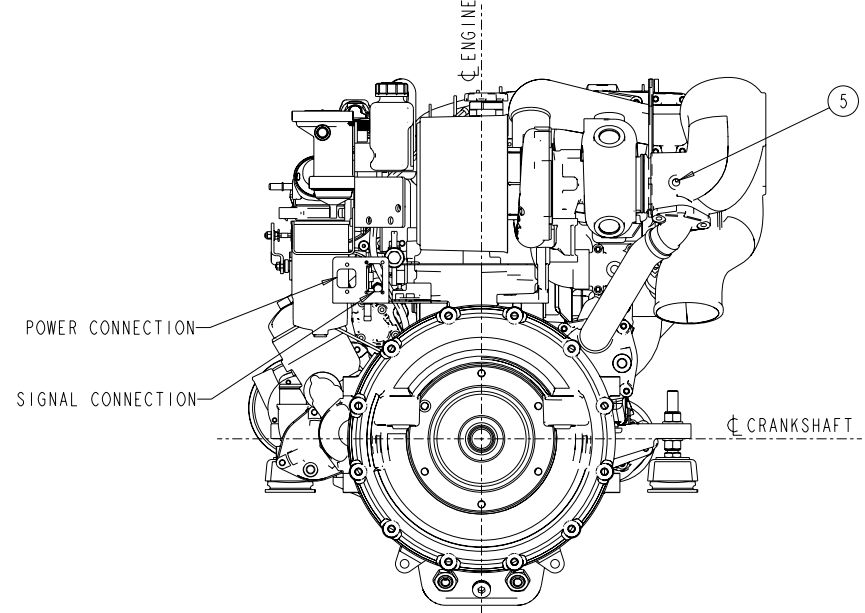
LAST SECTION LETTER USED: <b>NA</b>	REF. DRAWING STANDARDS: ANSI Y14.5M ISO 81101	<b>CUMMINS INC.</b>	
UNLESS OTHERWISE SPECIFIED DIMENSIONS ARE IN: MM 1:1 ARE IN: IN	ITEM NAME <b>QSD 4.2L SUBSYSTEM</b>	IDENTIFIER	ITEM NUMBER
DWN: D. SOMIN	SIZE CODE IDENT. NO.:	<b>J</b>	<b>4953743</b>
CHD: UNCHECKED	SCALE: 1:1	ITEM CONTROL: MCS	SHEET 1 OF 5
APPD:			

ITEM NUMBER  
4953743

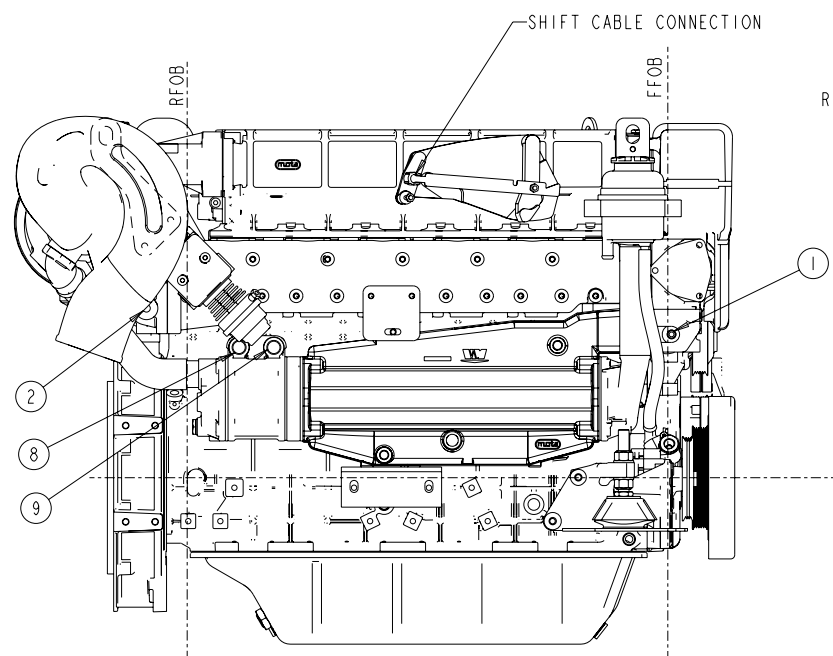
REVISIONS			
ZONE	REV	DESCRIPTION	APP'D
00	RELEASED		



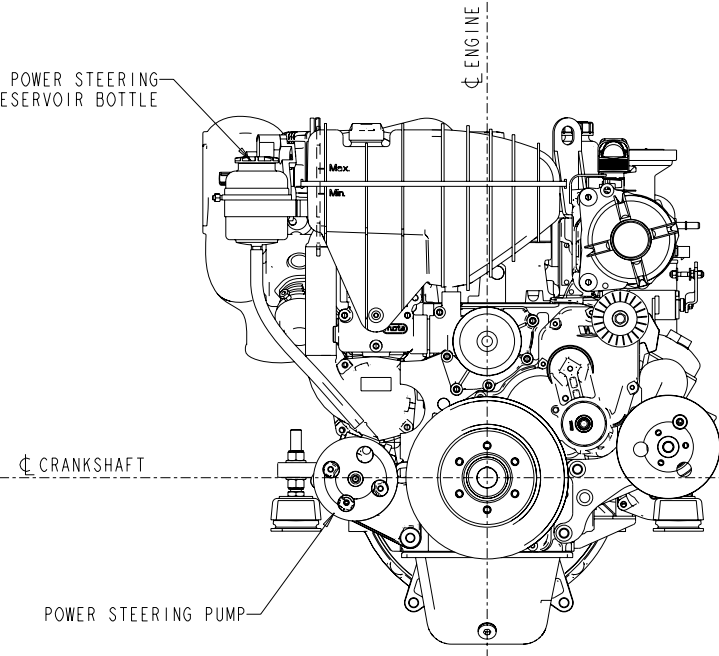
TOP VIEW



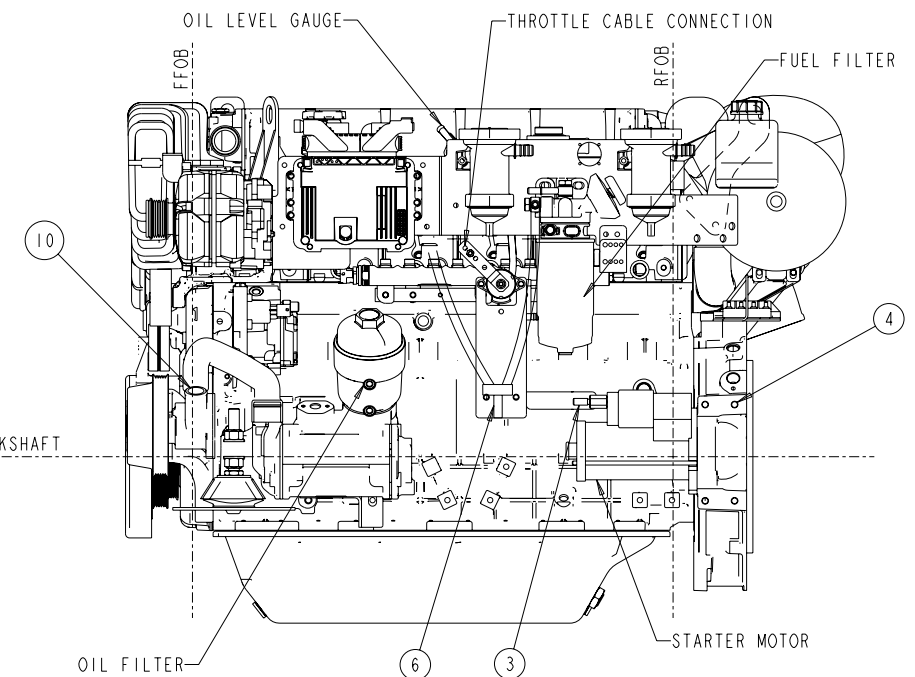
REAR VIEW



EXHAUST SIDE

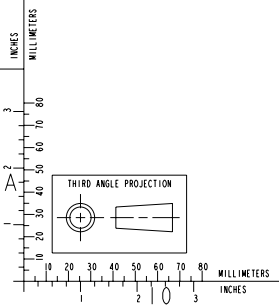


FRONT VIEW



FUEL PUMP SIDE

SERVICE CONNECTIONS/TEST PORTS			
① AUX. HEATER RETURN	Ø 15.9 [ .625]	⑥ FUEL INLET	Ø 8.0 [ .3125]
② AUX. HEATER SUPPLY	Ø 15.9 [ .625]	⑦ FUEL RETURN	N/A
③ BATTERY (+)	M10 X 1.5	⑧ POWER STEERING/GEAR OIL COOLER INLET	Ø 9.52 [ .375]
④ BLOCK GROUND (-)	M10 X 1.5	⑨ POWER STEERING/GEAR OIL COOLER OUTLET	Ø 6.35 [ .25]
⑤ EXHAUST TEMP/BACK PRESS.	[ 1/4 NPT]	⑩ SEAWATER INLET	Ø 38.1 [ 1.5]



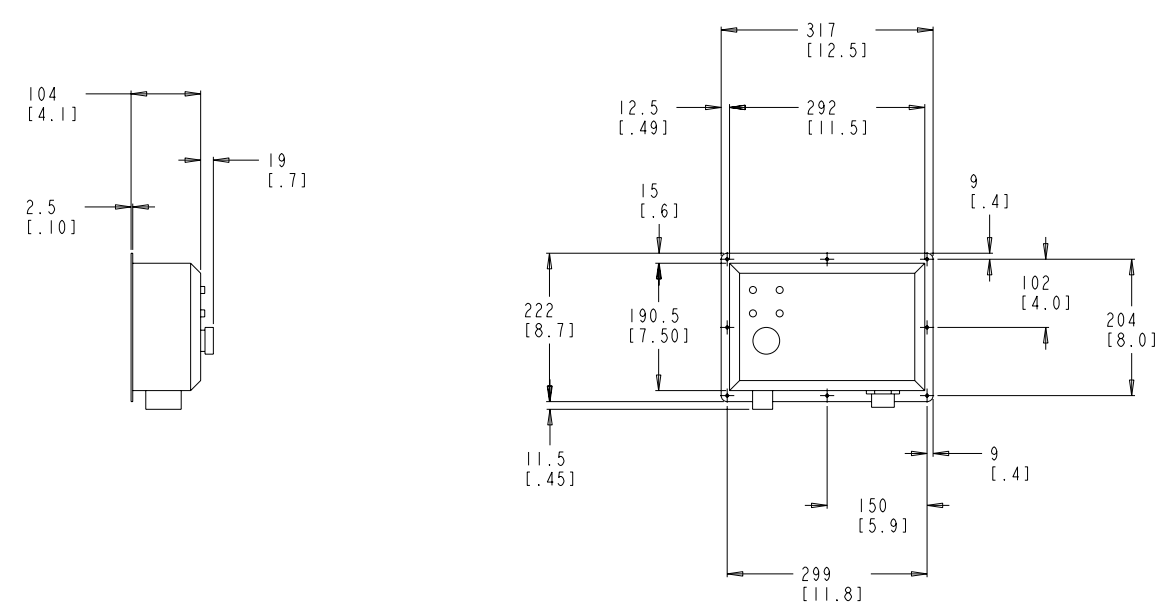
DO NOT SCALE THIS DRAWING  
THIS DRAWING/DATA FILE (AND THE INFORMATION SHOWN THEREON) IS CONFIDENTIAL AND PROPRIETARY AND SHALL NOT BE USED, DISCLOSED TO OTHERS, OR REPRODUCED BY ANY MEANS FOR ANY PURPOSE IN HARD COPY FORM OR IN MACHINE READABLE FILES, WITHOUT WRITTEN CONSENT OF CUMMINS INC., MARKETING CAD SERVICES DEPARTMENT.

PRODUCT GRAPHICS FILE  
NO ORIGINAL DRAWING EXISTS FOR THIS ITEM. THE ENGINEERING GRAPHICS DATA FOR THIS ITEM RESIDES IN THE PRODUCT GRAPHICS FILE AND IS CONTROLLED BY THE AGENCY DESIGNATED AS HAVING ITEM CONTROL.

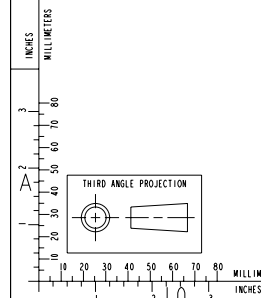
LAST SECTION LETTER USED: <b>NA</b>	REF. DRAWING STANDARDS: ANSI Y14.5M ISO 81101	<b>CUMMINS INC.</b>	
UNLESS OTHERWISE SPECIFIED DIMENSIONS ARE IN: MM 1.7 ARE IN: IN		ITEM NAME <b>QSD 4.2L SUBSYSTEM</b>	IDENTIFIER
DWN: D. SOMIN	DATE: 12/24/94	SIZE CODE (IDENT. NO.)	ITEM NUMBER
CHD: UNCHECKED	APPD: [Signature]	<b>J</b>	<b>4953743</b>
SCALE: 1:1	ITEM CONTROL: MCS	SHEET 2 OF 5	

ITEM NUMBER  
4953743

REVISIONS			
ZONE	REV	DESCRIPTION	APP'D
00	RELEASED		



EI8012/EI8013



ELECTRICAL SYSTEM

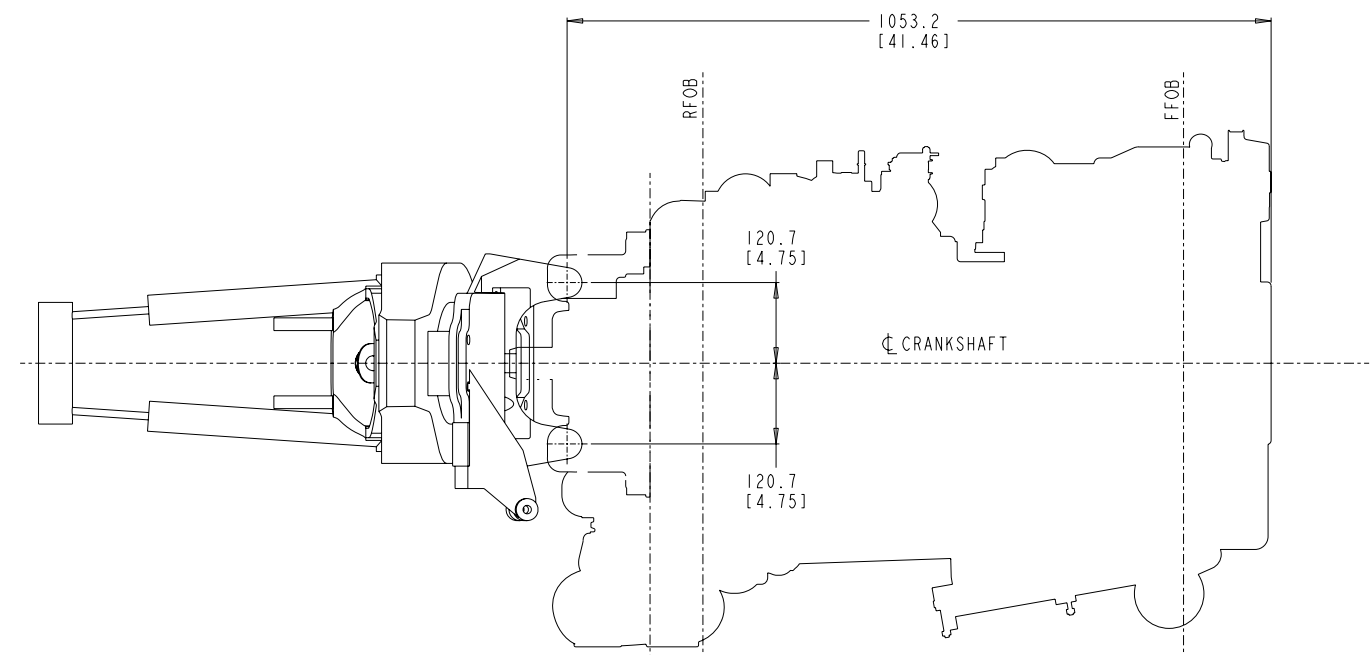
DO NOT SCALE THIS DRAWING  
THIS DRAWING/DATA FILE (AND THE INFORMATION SHOWN THEREON) IS CONFIDENTIAL AND PROPRIETARY AND SHALL NOT BE USED, DISCLOSED TO OTHERS, OR REPRODUCED BY ANY MEANS FOR ANY PURPOSE IN HARD COPY FORM OR IN MACHINE READABLE FILES, WITHOUT WRITTEN CONSENT OF CUMMINS INC., MARKETING CAD SERVICES DEPARTMENT.

PRODUCT GRAPHICS FILE  
NO ORIGINAL DRAWING EXISTS FOR THIS ITEM. THE ENGINEERING GRAPHICS DATA FOR THIS ITEM RESIDES IN THE PRODUCT GRAPHICS FILE AND IS CONTROLLED BY THE AGENCY DESIGNATED AS HAVING ITEM CONTROL.

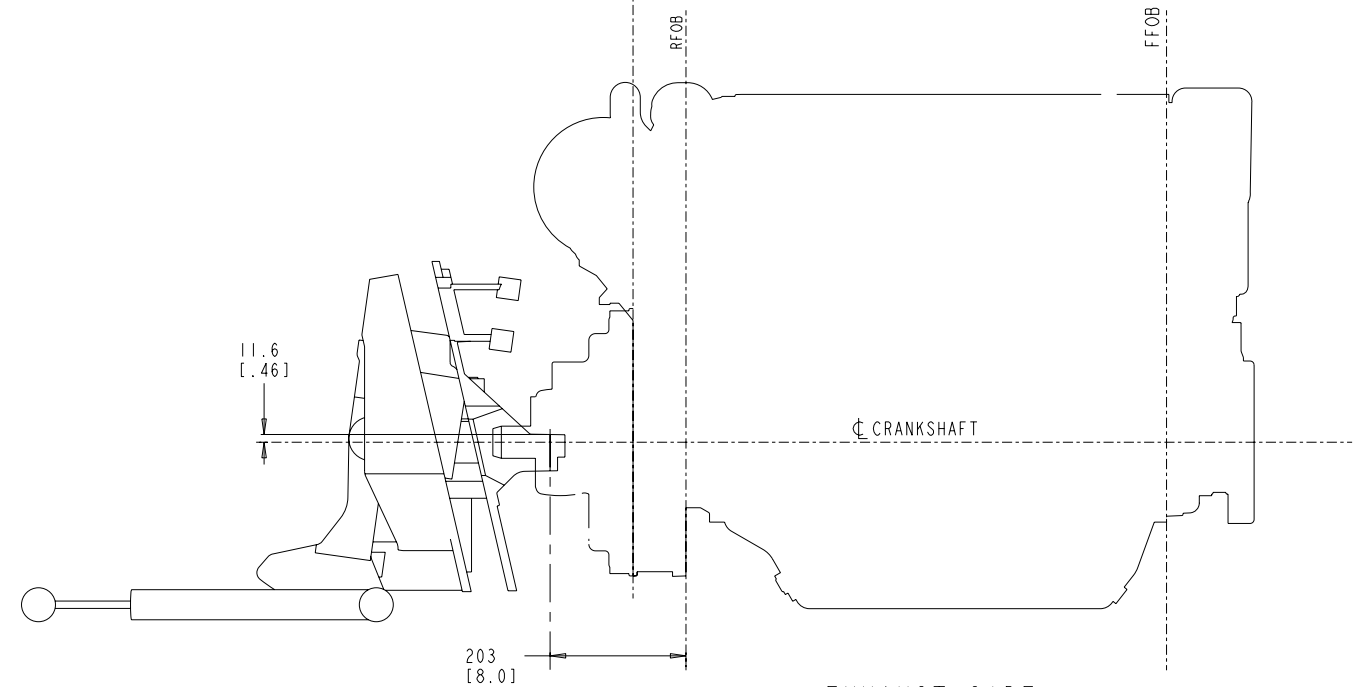
LAST SECTION LETTER USED: <b>NA</b>	REF. DRAWING STANDARDS: ANSI Y14.5M ISO 81101	<b>CUMMINS INC.</b>	
UNLESS OTHERWISE SPECIFIED DIMENSIONS ARE IN: MM 1:1 ARE IN: IN		ITEM NAME <b>QSD 4.2L SUBSYSTEM</b>	IDENTIFIER
DWN D. SOWIN	UNCHECKED	SIZE CODE IDENT. NO.	ITEM NUMBER <b>4953743</b>
APPD		SCALE: 1:1	ITEM CONTROL: MCS SHEET 3 OF 5

ITEM NUMBER  
4953743

REVISIONS			
ZONE	REV	DESCRIPTION	APP'D
00	RELEASED		



TOP VIEW



EXHAUST SIDE

**SA9064**

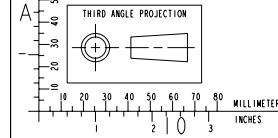
PRODUCT GRAPHICS FILE  
NO ORIGINAL DRAWING EXISTS FOR THIS ITEM. THE ENGINEERING GRAPHICS DATA FOR THIS ITEM RESIDES IN THE PRODUCT GRAPHICS FILE AND IS CONTROLLED BY THE AGENCY DESIGNATED AS HAVING ITEM CONTROL.

LAST SECTION LETTER USED: <b>NA</b>	REF. DRAWING STANDARDS: ANSI Y14.5M ISO 81101	<b>CUMMINS INC.</b>	
UNLESS OTHERWISE SPECIFIED DIMENSIONS ARE IN: MM ( ) ARE IN: IN		ITEM NAME <b>QSD 4.2L SUBSYSTEM</b>	IDENTIFIER
DWN: D. SOWIN	UNCHECKED	SIZE CODE (IDENT. NO.)	ITEM NUMBER <b>4953743</b>
APPD:		SCALE: 1	ITEM CONTROL: MCS SHEET 4 OF 5

DO NOT SCALE THIS DRAWING

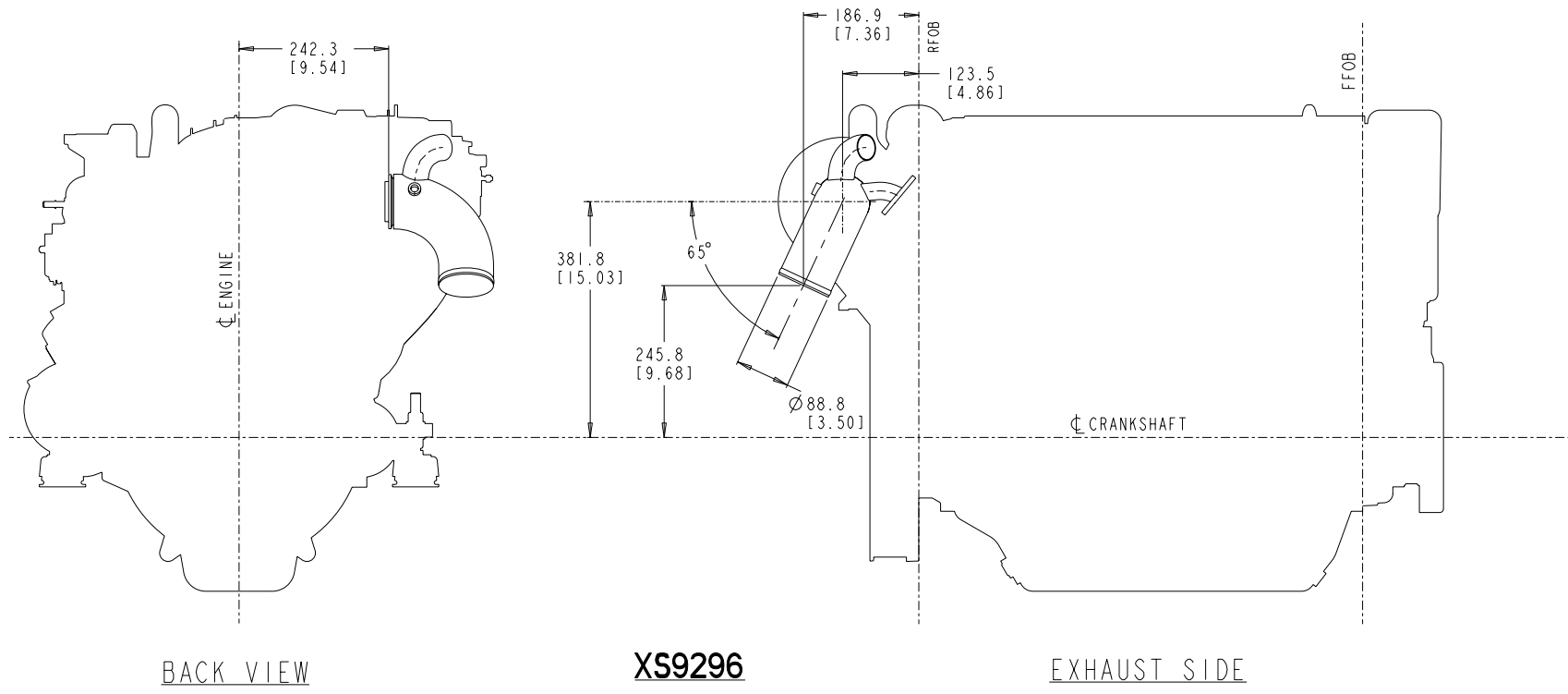
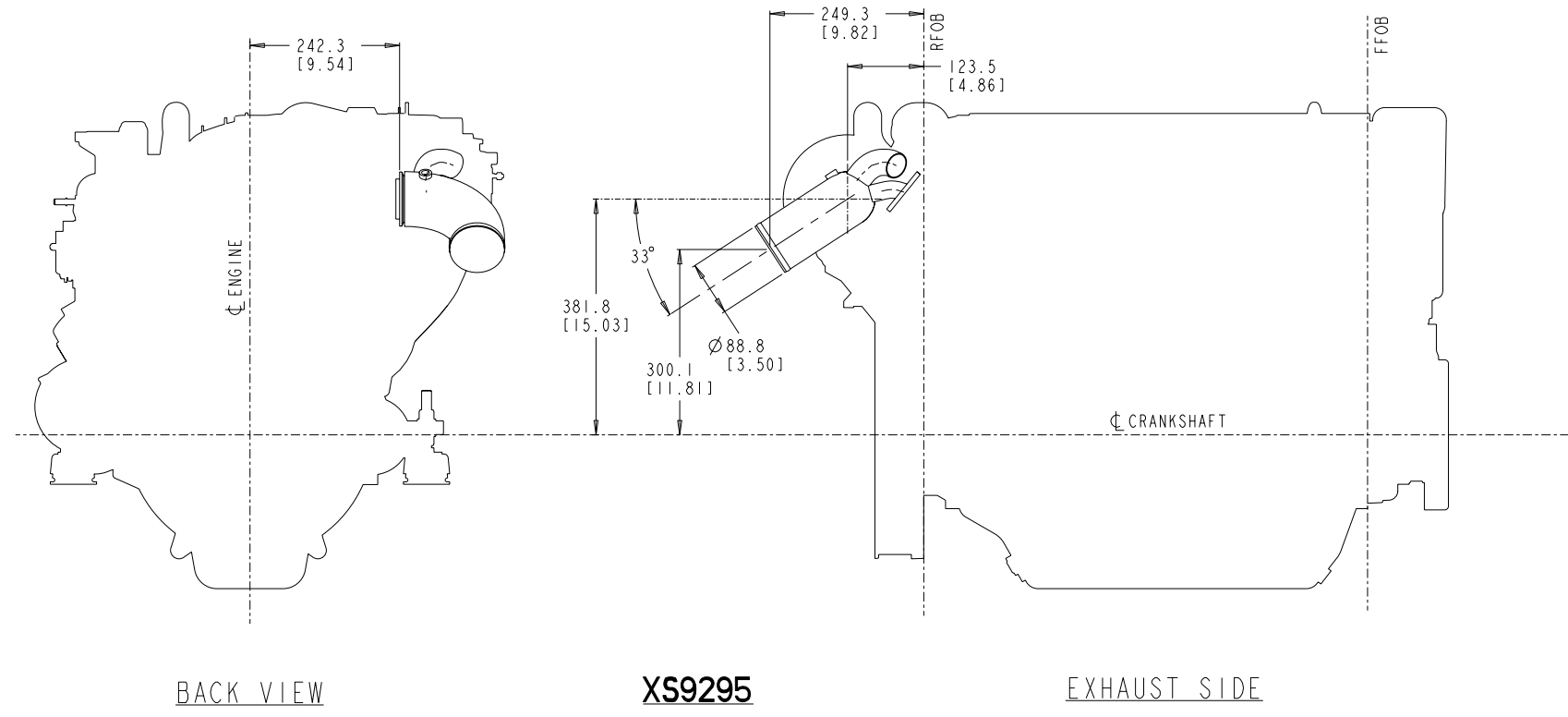
THIS DRAWING/DATA FILE (AND THE INFORMATION SHOWN THEREON) IS CONFIDENTIAL AND PROPRIETARY AND SHALL NOT BE USED, DISCLOSED TO OTHERS, OR REPRODUCED BY ANY MEANS FOR ANY PURPOSE IN HARD COPY FORM OR IN MACHINE READABLE FILES, WITHOUT WRITTEN CONSENT OF CUMMINS INC., MARKETING CAD SERVICES DEPARTMENT.

MOUNTING SYSTEM



ITEM NUMBER  
4953743

REVISIONS			
ZONE	REV	DESCRIPTION	APP'D
00	RELEASED		

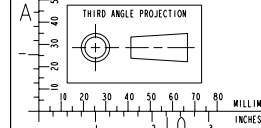


PRODUCT GRAPHICS FILE  
NO ORIGINAL DRAWING EXISTS FOR THIS ITEM. THE ENGINEERING GRAPHICS DATA FOR THIS ITEM RESIDES IN THE PRODUCT GRAPHICS FILE AND IS CONTROLLED BY THE AGENCY DESIGNATED AS HAVING ITEM CONTROL.

LAST SECTION LETTER USED: <b>NA</b>	REF. DRAWING STANDARDS: ANSI Y14.5M ISO 81101	<b>CUMMINS INC.</b>	
UNLESS OTHERWISE SPECIFIED DIMENSIONS ARE IN: MM ( ) ARE IN: IN		ITEM NAME <b>QSD 4.2L SUBSYSTEM</b>	IDENTIFIER
DWN: D. SOMIN	CHD: UNCHECKED	SIZE CODE (IDENT. NO.): <b>J</b>	ITEM NUMBER <b>4953743</b>
APPD:	SCALE: 1:1	ITEM CONTROL: MCS	SHEET 5 OF 5

DO NOT SCALE THIS DRAWING  
THIS DRAWING/DATA FILE (AND THE INFORMATION SHOWN THEREON) IS CONFIDENTIAL AND PROPRIETARY AND SHALL NOT BE USED, DISCLOSED TO OTHERS, OR REPRODUCED BY ANY MEANS FOR ANY PURPOSE IN HARD COPY FORM OR IN MACHINE READABLE FILES, WITHOUT WRITTEN CONSENT OF CUMMINS INC., MARKETING CAD SERVICES DEPARTMENT.

EXHAUST SYSTEM



INCHES  
MILLIMETERS